

iku® windows – Sliding system for windows and doors

Benefits:

- Simple Installation
- Slim profiles offer a unique design together with high functionality
- High flexibility through different possibilities
- Locking from inside and outside even a ventilation gap is open
- Panel sizes up to 1,50 X 2,40 m
- Certificated sound insulation
- Certificated thermal insulation
- Certificated A-value

Field of application

- Sliding windows and doors
- High end projects, private or public
- conservatories
- Balconies
- Ideal also for indoor swimming pools



iku® windows – Sliding system for windows and doors

Test values

According to NORM B5300

Air permeability	Class 3
Driving rain resistance	Class 9A
Wind resistance	Class 5c

Airborne sound insulation following NORM EN 20140-3:1995

Glass values:

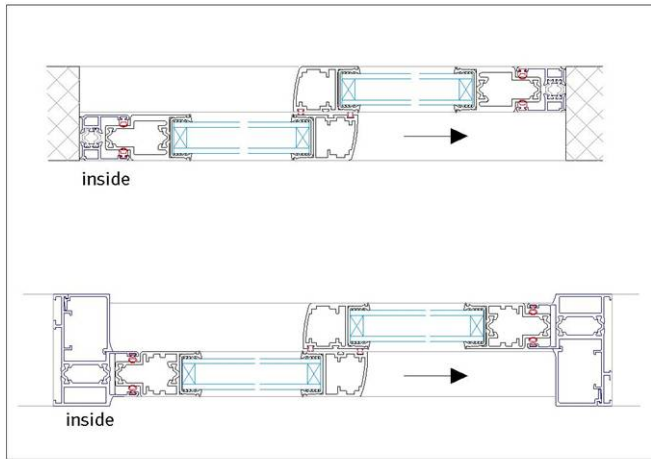
Description	Soundproofing value (dB)	U value (W/m²K)
Isaphon 39/24-2.9	39	2,9
Sound- and heat-absorbing glass	38	0,9
Laminated security glazing 10/8/6	38	0,9
DIN 52290 security glazing	38	0,9

All panes are 24 mm thick.

Accoustic insulation $R_w (C;Ctr) = 44(-2;-5)$ dB according to ÖNORM EN ISO 717-1:1997

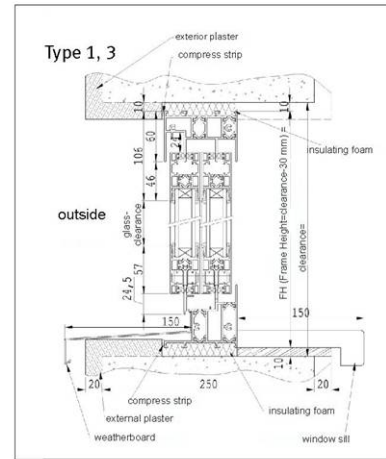
iku® windows – Sliding system for windows and doors

horizontal section cut

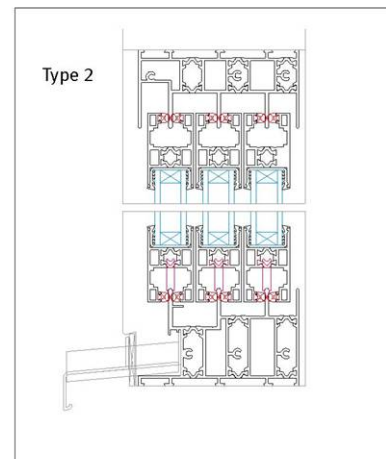
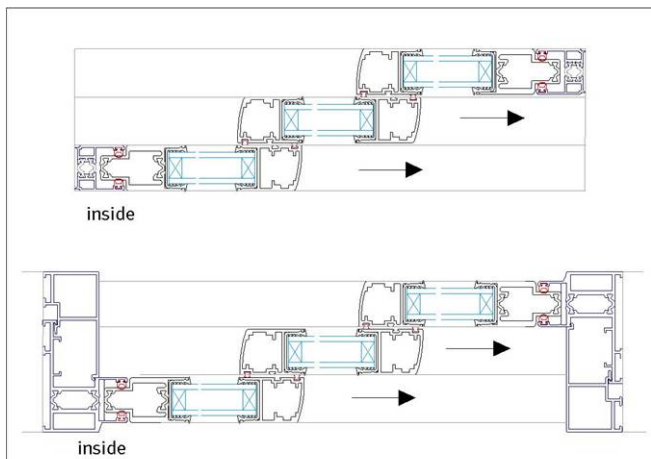


sliding system sh 2/2; 2-rails, 2-panels made of heat insulated aluminium profiles

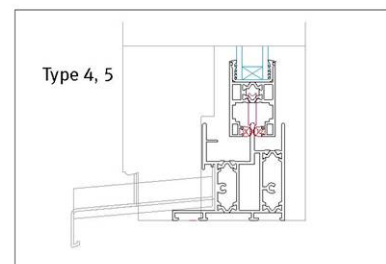
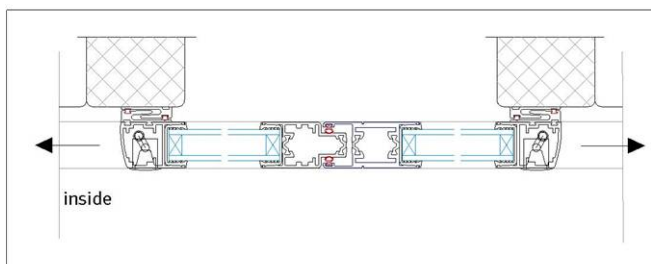
vertical section cut



sliding system SH 3/3 , 3-rails, 3-panels made of heat insulated aluminium profiles



sliding system SH 2/1 bff, 2-rails, 2-panels behind fixed element; made of heat insulated aluminium profiles



sliding system SH 2/2 bff, 2-rails, 2-panels behind fixed element, made of heat insulated aluminium profiles

