



iku® windows - the intelligent self-cleaning glass façade SG (structural glazing) system

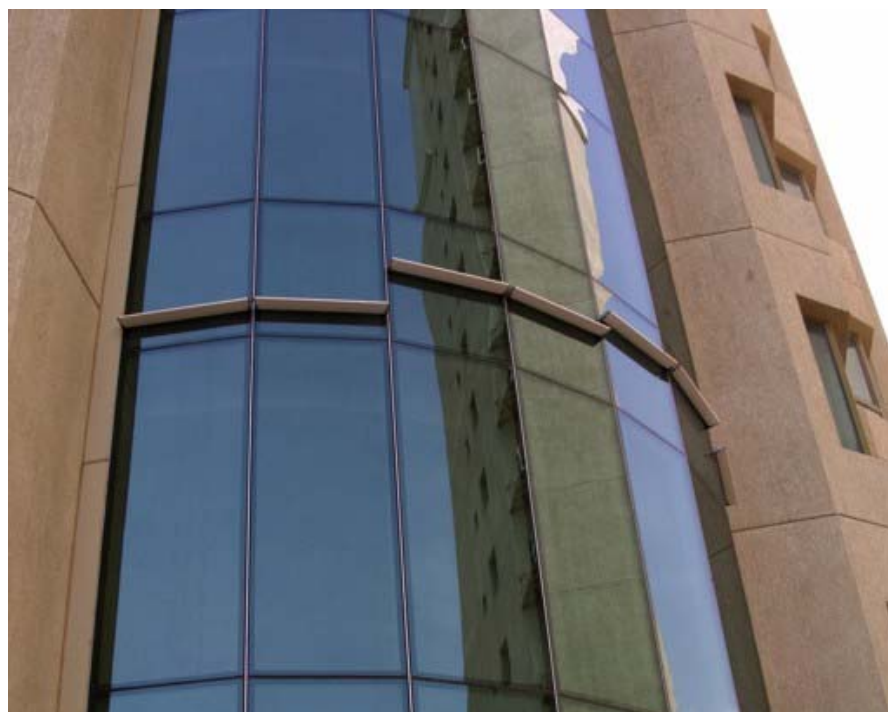
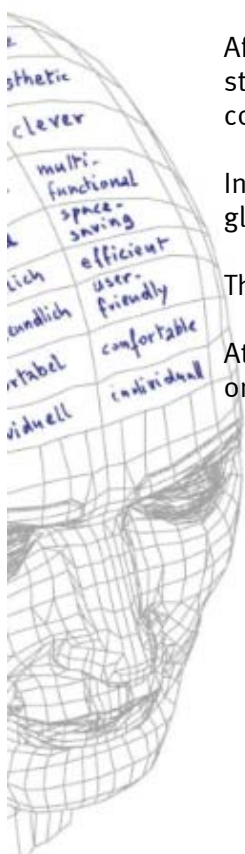
iku® windows – the intelligent facade structural glazing system is a complete curtain wall system with integrated self cleaning mechanism. The system allows to build absolutely flat glass facades without external profiles and integrates the self cleaning mechanism. The wiper blends in visually without affecting the over all appearance. The appearance of the Structural glazing system is equal to the Unitized façade, so it is perfect for individual adjustments.

After pumping the cleaning fluid onto the glass facade through a central water connection, the wiper starts to move at the touch of a button from the top of the facade to its end and cleans the pane continuously.

Individually it can be parameterised how much and how long water should be sprayed onto the glass facade, equally the frequency of the wiper movement can be decided.

The wipers are spring-loaded, which guarantees a perfect cleaning result.

At present the system height applicable is 60 m, for higher buildings multiple systems are placed on top of each other.



iku® windows - the intelligent self-cleaning glass façade SG (structural glazing) system

Unique options:

Additional to self-cleaning mechanism systemized integration of

- maintenance & evacuation unit
- shading
- photovoltaic
- lighting
- advertisement

Highlight:

Glass changeable from inside

Damaged glass can be carried to any desired position of the façade by using of the maintenance unit. Glass can be changed from inside and removed easily.

Benefits that pay off:

Convenience

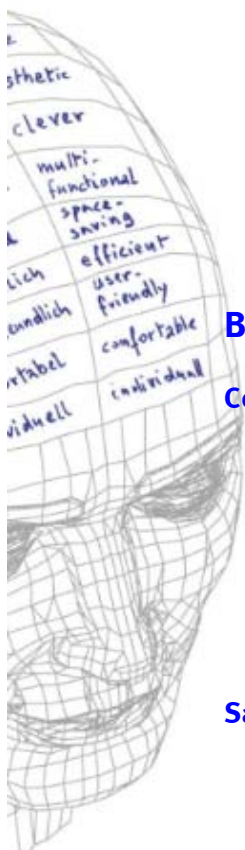
- cleaning at the touch of a button
- clean facades in just a few hours (even high rise)
- no need for external cleaning contractors
- rainwater used for cleaning cycle
- free design for architects

Safety / Privacy

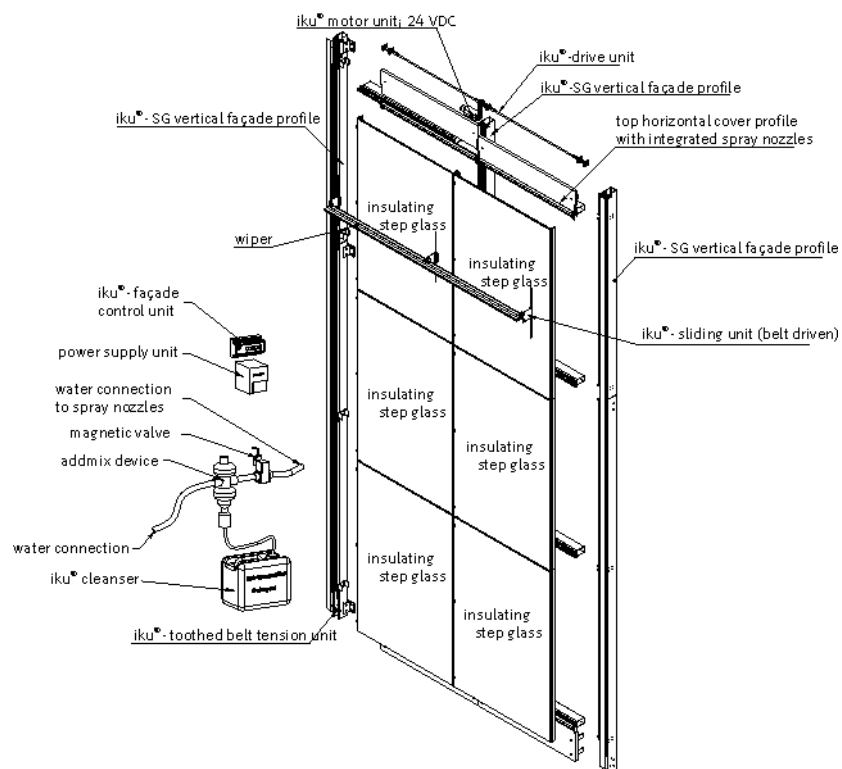
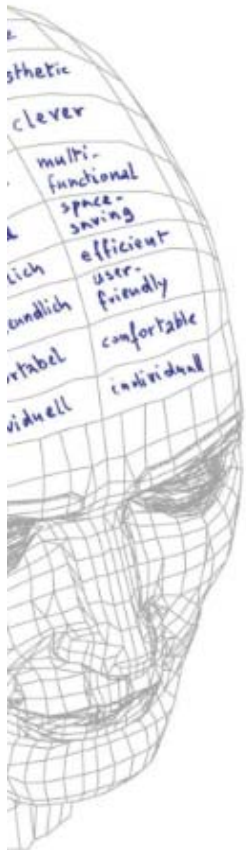
- safe cleaning of high glass facades
- risk-free change of glass from inside
- no breakage from building maintenance units
- protection of privacy
- no outside personnel looking into the building (espionage / break-ins)
- evacuation in case of disaster
- protection of the façade from fire and smog by increasing pressure of water spraying

Cost effectiveness

- extremely low operation costs
- high frequency of cleaning without additional costs
- one-off investment
- low maintenance
- cleaning of solar panels, in order not to lose efficiency in energy production

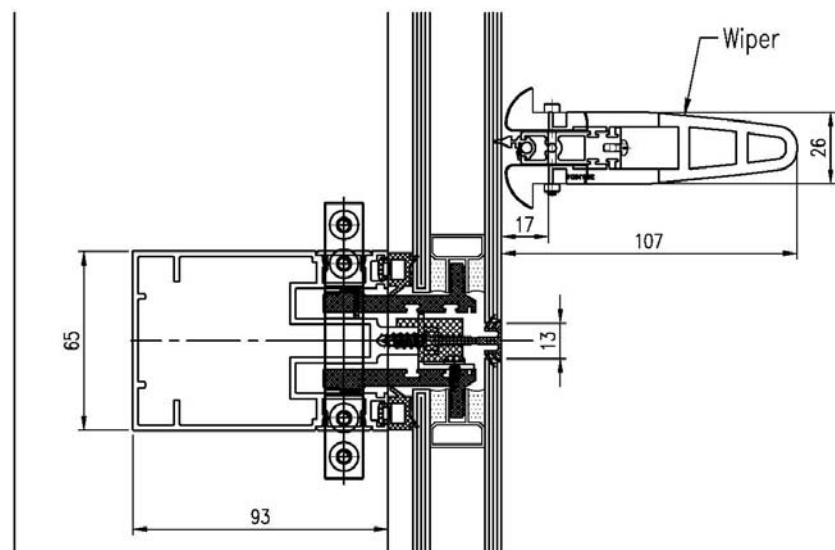
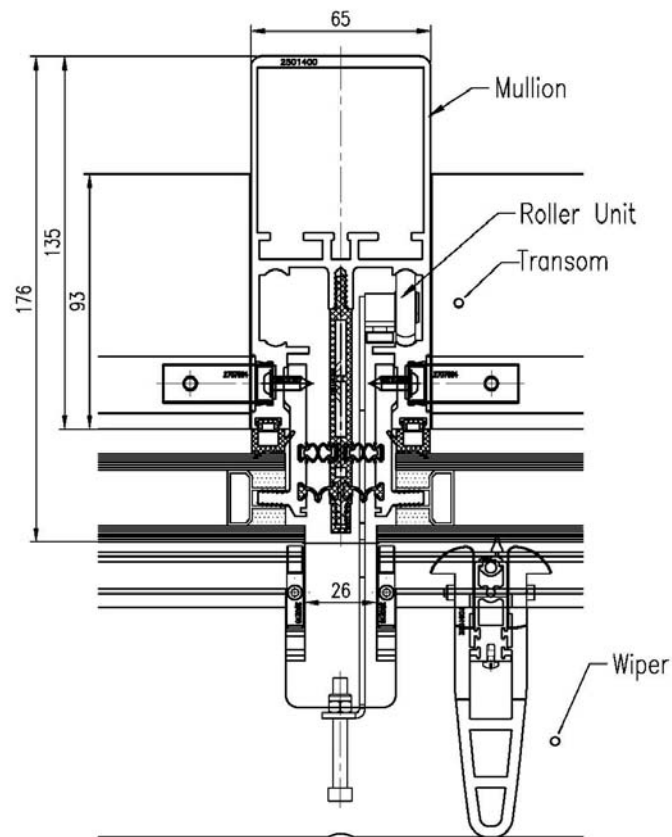


iku® windows - the intelligent self-cleaning glass façade SG (structural glazing) system



iku® windows - the intelligent self-cleaning glass façade SG (structural glazing) system

horizontal section cut



vertical section cut

